
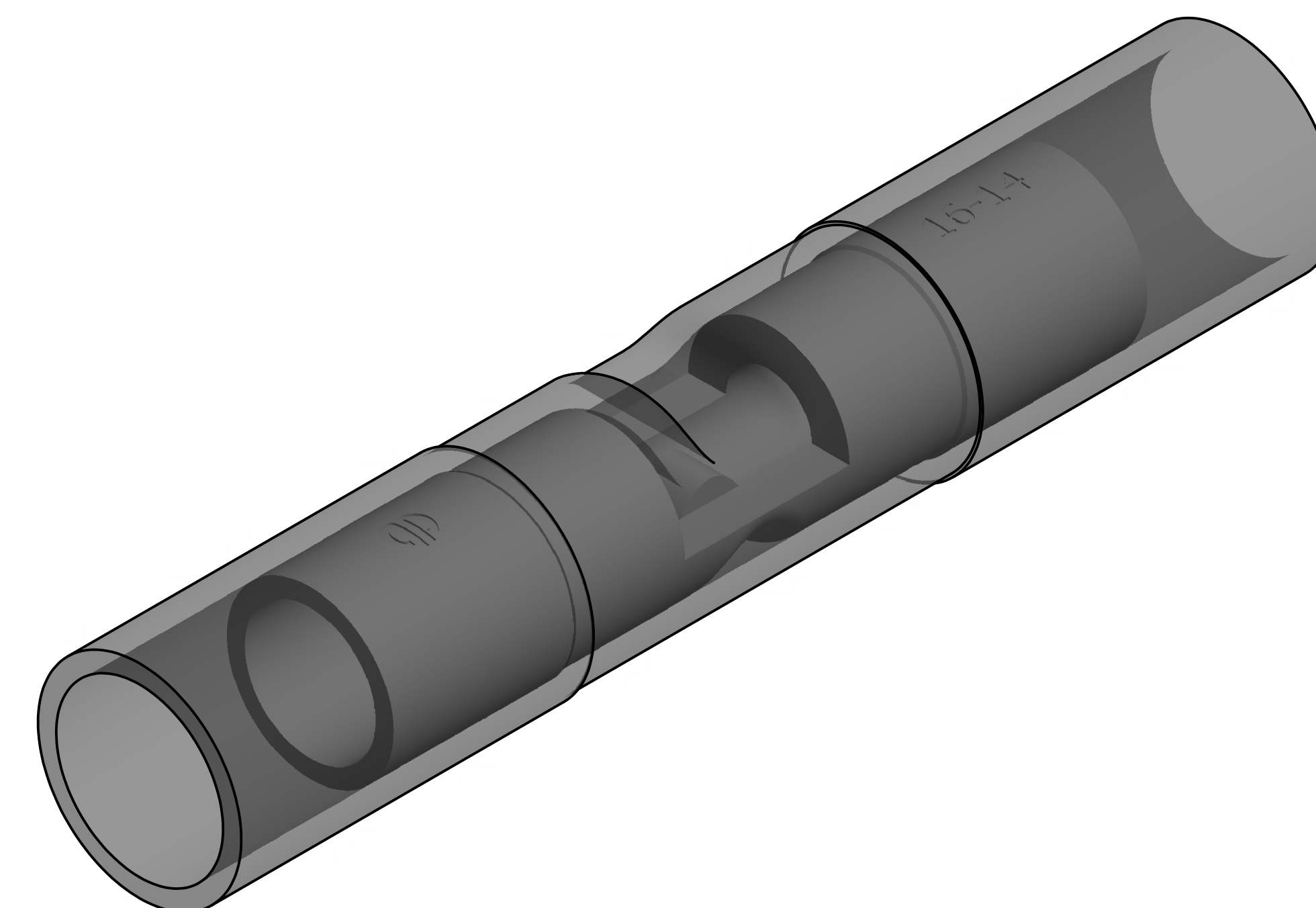
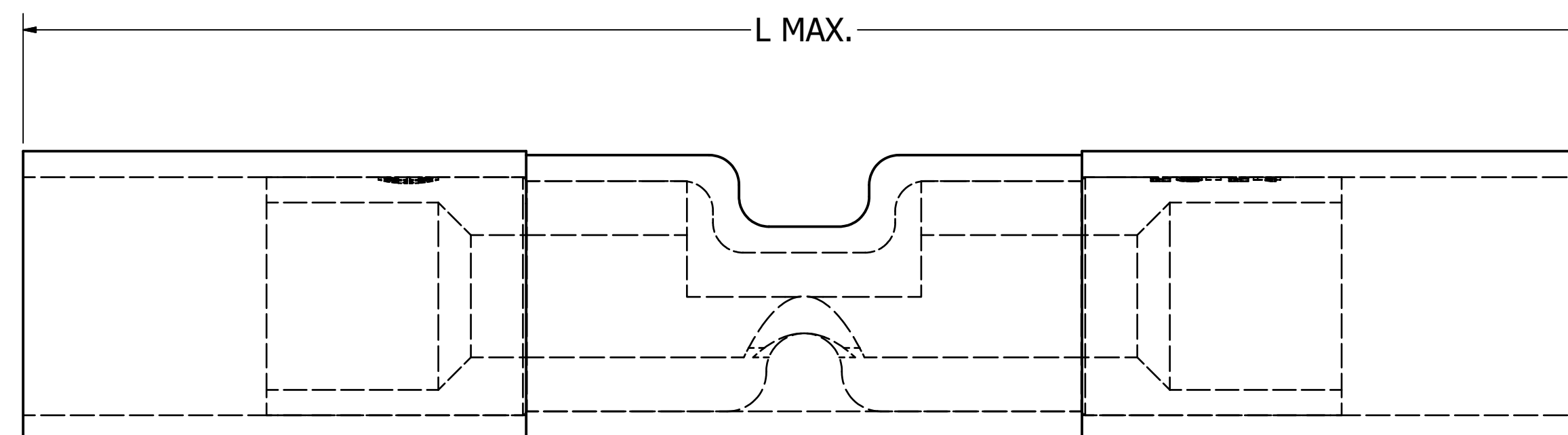
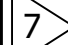



REV	DATE	DESCRIPTION	ECO	BY	C'H'K.
A	12/04/2018	NEW DRAWING CREATION	50435	RB	VS

WIRE SIZE (AWG)	CATALOG NUMBER	BULK CATALOG NUMBER	L MAX.	MAX. WIRE INSUL. DIA. ACCOM.	WIRE STRIP LENGTH ± .03 [± .8]	COLOR CODE	INSTALLATION TOOLING
22-18 Str. and Sol.	SN18	YSE18HN	1.25 [31.8]	.12 [3.2]	15/64" [6.0]	RED	Y1022
16-14 Str. and Sol.	SN14	YSE14HN		.15 [3.8]	7/32" [5.6]	BLUE	
12-10 Str. and Sol.	SN10	YSE10HN	1.64 [41.7]	.22 [5.6]	3/8" [9.5]	YELLOW	Y1022, MR18 



NOTES:

1. TERMINAL: TIN PLATED COPPER
2. INSULATION: NYLON
3. DIMENSIONS IN BRACKETS [] ARE IN MILLIMETERS AND ARE FOR REFERENCE ONLY.
4. UL LISTED & CSA CERTIFIED SPLICING WIRE CONNECTORS PER UL486C (FILE E9498) & CSA C22.2 NO.188 REQUIREMENTS (FILE 252405)
5. DISCONTINUED TOOLS: MR885
CONTACT TECH SERVICE FOR INFORMATION ABOUT APPROVED APPLICATIONS (1-800-451-4956)
6. WIRE CONNECTOR:
600V MAXIMUM
BUILDING WIRE: 1000V MAXIMUM, SIGNS OR LUMINARIES
TEMPERATURE RATING OF INSULATING MATERIAL 105°C
FLAME RATING: UL746C GLOW WIRE TEST
-  CONNECTORS ARE ONLY RATED FOR 300V WHEN THE MR18 IS USED.
8. MEETS REQUIREMENTS OF SAE-AS7928.

TO ORDER BURNDY® PRODUCTS CALL		INSULINK™	
UNITED STATES 1-800-346-4175 (LONDONDERRY, NH)		ITEM NO: N/A	
CANADA: 1-800-361-6975 (QUEBEC) 1-800-387-6487 (ALL OTHER PROVINCES)		CAT. NO: TYPE SN	
FOR PRODUCT INFO: http://www.burndy.com		DRAWN BY: RBABU 12/03/2018	
	CHECKER: V.SAKTHIVEL 12/03/2018	DSN APRVL: K.CASTONGUAY 12/18/2018	
	MFG APRVL: --	QA APRVL: B.POST 12/05/2018	
	MKT APRVL: M.BAILLY 12/05/2018	PROD FAM: --	
	PROJECT #: --	SIZE: D	
	DOCUMENT TYPE: SALES	DRAWING NO: 50094191	REV: A
	REL LEVEL: Released	SHEET 1 OF 1	